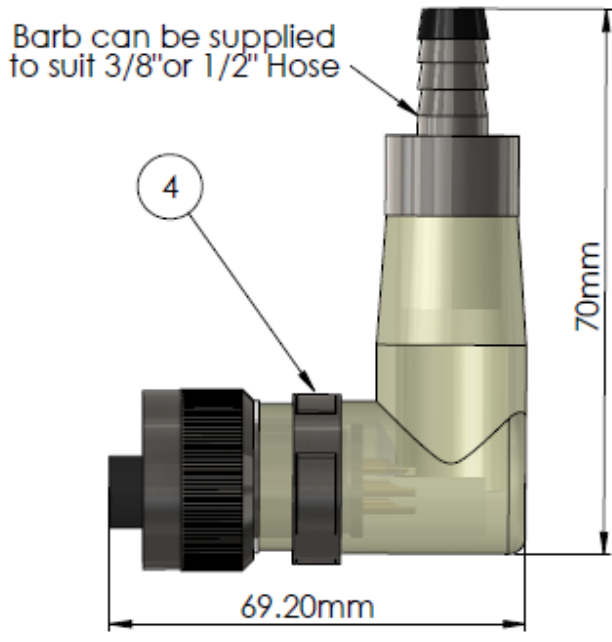
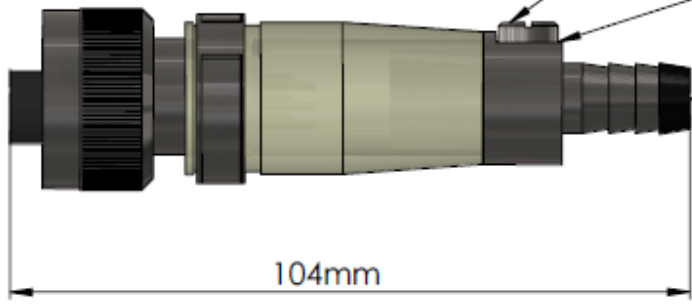


1500 Series Oil Filled Adaptor



Part No:	Description
IM1028	Right Angle 3/8" hose
IM1029	Straight 3/8" hose
IM1030	Right Angle 1/2" hose
IM1031	Straight 1/2" hose



Part No:	Description
55A1-1502-000F	Modified Burton Attachable
55A1-1503-000F	Modified Burton Attachable
55A1-1504-000F	Modified Burton Attachable
55A1-1506-000F	Modified Burton Attachable
55A1-1508-000F	Modified Burton Attachable

Part No:	Description
1 MC1458	Bleed Screw
2 4 X1.5 N170	"O" RING
3 MC1419	Insulation Sleeve 3/8"
4 MC1420	Insulation Sleeve 1/2"
5 0215 -706R	Oetiker Clamp
6 0125 - 905RWV	Oetiker Clamp to suit 3/8" hose
7 0170 -905	Oetiker Clamp to suit 1/2" hose
8 14100030	Oetiker Clamp Pincer Tool